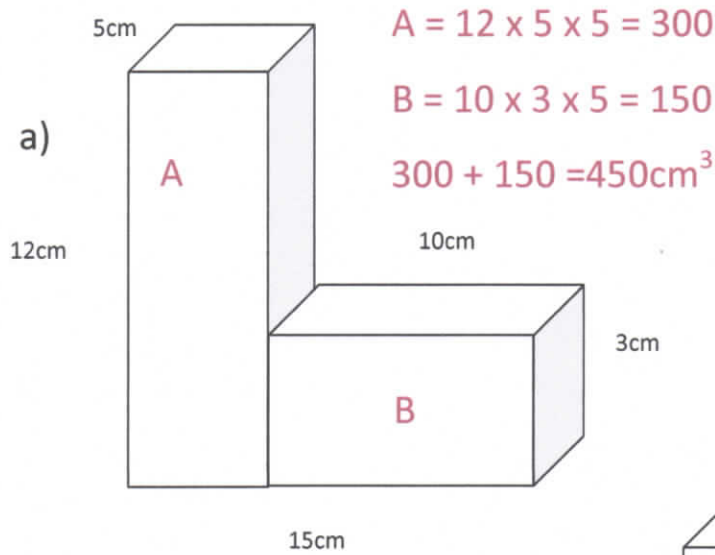


12. Find the volume of these shapes:



$$A = 12 \times 5 \times 5 = 300$$

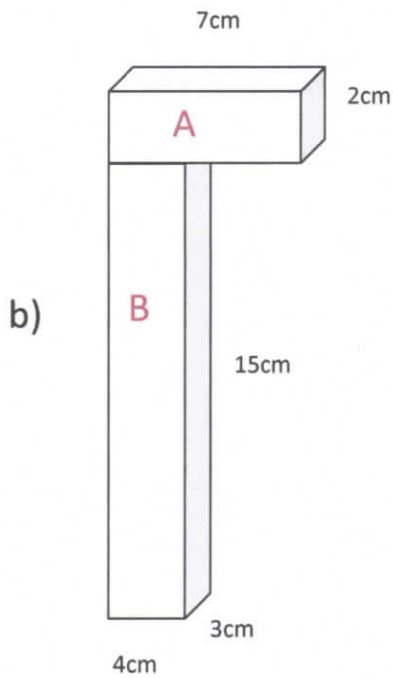
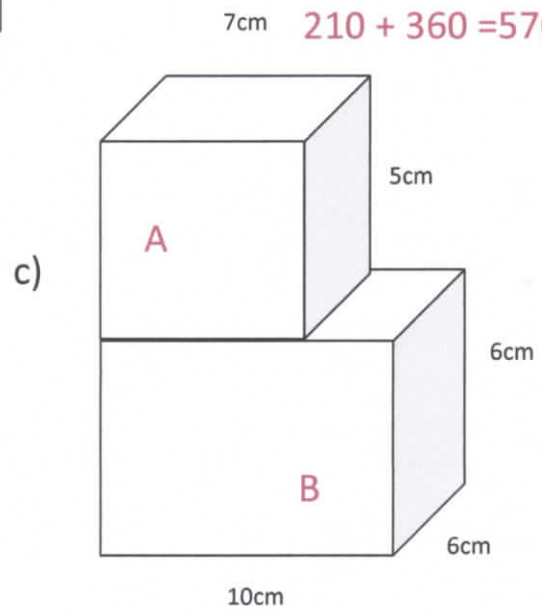
$$B = 10 \times 3 \times 5 = 150$$

$$300 + 150 = 450\text{cm}^3$$

$$A = 7 \times 5 \times 6 = 210$$

$$B = 10 \times 6 \times 6 = 360$$

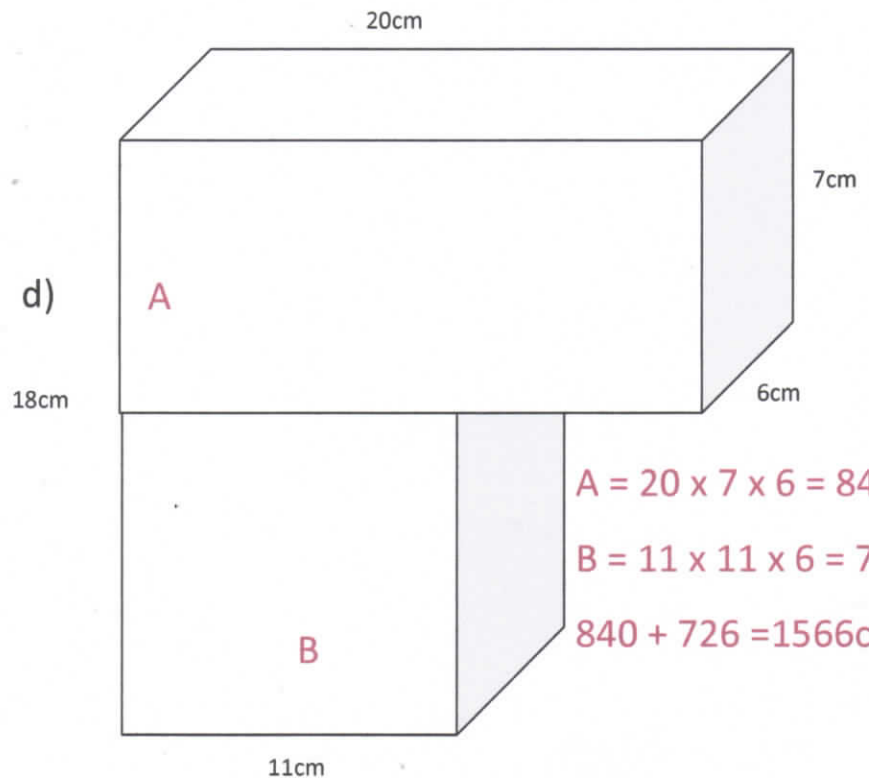
$$210 + 360 = 570\text{cm}^3$$



$$A = 7 \times 2 \times 3 = 42$$

$$B = 15 \times 3 \times 4 = 180$$

$$42 + 180 = 222\text{cm}^3$$



$$A = 20 \times 7 \times 6 = 840$$

$$B = 11 \times 11 \times 6 = 726$$

$$840 + 726 = 1566\text{cm}^3$$