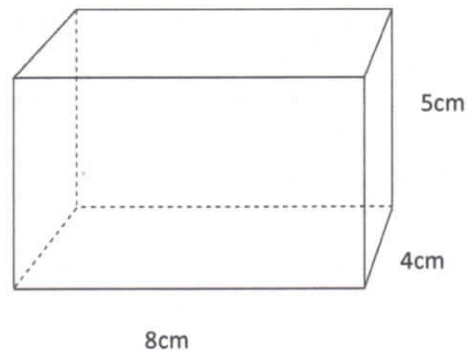


Volume

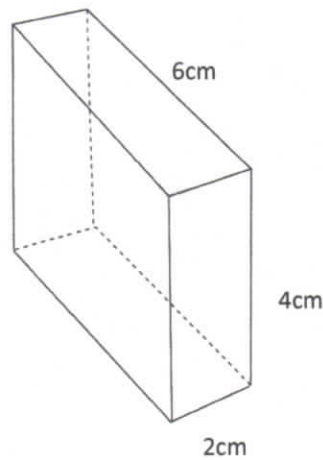
1. What is the volume of this cuboid?

$$160\text{cm}^3$$



2. Find the volume of this cuboid.

$$48\text{cm}^3$$



3. The length, width and height of a cuboid are: 5cm, 2cm and 3cm. What is its volume? 30cm^3

4. Find the missing measurements in this table:

Length	Width	Height	Volume
10cm	4cm	3cm	120cm^3
5cm	6cm	2cm	60cm^3
8cm	2cm	3cm	48cm^3
10m	3cm	6m	180m^3
9mm	2mm	4cm	72mm^3

5. A cuboid has a volume of 72cm^3 . If the length, width and height are all whole numbers, how many different sets of measurements can you find?