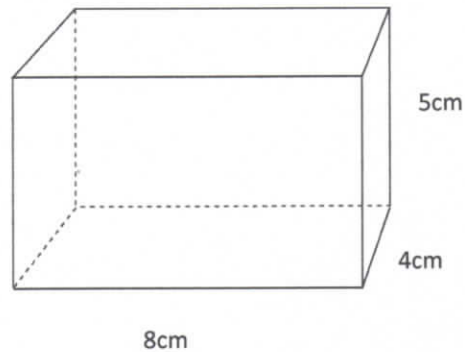
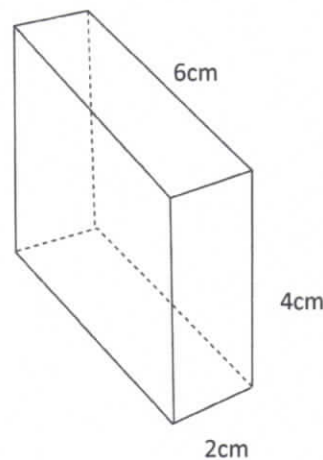


Volume

1. What is the volume of this cuboid?



2. Find the volume of this cuboid.



3. The length, width and height of a cuboid are: 5cm, 2cm and 3cm. What is its volume?

4. Find the missing measurements in this table:

Length	Width	Height	Volume
10cm	4cm	3cm	
	6cm	2cm	60cm^3
8cm	2cm		48cm^3
10m		6m	180m^3
9mm	2mm		72mm^3

5. a) A cuboid has a volume of 72cm^3 . If the length, width and height are all whole numbers, how many different sets of measurements can you find?

b) How many can you find for a cuboid with volume 96cm^3 ?